



PowerVision™ Enterprise Release 3 TCU 9000i Terminal Control Unit



- ▶ Door access control
- ▶ Lift access or lift call control
- ▶ Vehicle boom gate access control
- ▶ Time attendance & management
- ▶ Visitor management
- ▶ Intrusion alarm monitoring
- ▶ Guard tour monitoring
- ▶ Lighting & utilities control
- ▶ Facility booking control
- ▶ Audio-visual alert in absence of AC source

Overview

The new TCU 9000i terminal control unit comes with a faster and more powerful microprocessor, greater memory capacity and greater power efficiency, all in a more compact unit.

The TCU 9000i is an intelligent controller suitable for multiple applications, particularly for building security and control. It is the basic building block for the Power Vision™ Enterprise Security Management System.

TCU 9000i consists of a CPU board that provides dual Ethernet port and two RS232 communication port to enhance availability of the system. A separate I/O controller board is designed to provide 8-door reader ports to communicate with all external card readers and other field devices.

Multiple units of TCU 9000i are networked together via standard Ethernet that allows the system to grow to an enterprise level with multiple sites, spread across a large geographical area.

TCU 9000i runs on Linux, which is a highly reliable operating system. The built-in web server provides easy setup and system diagnostics.

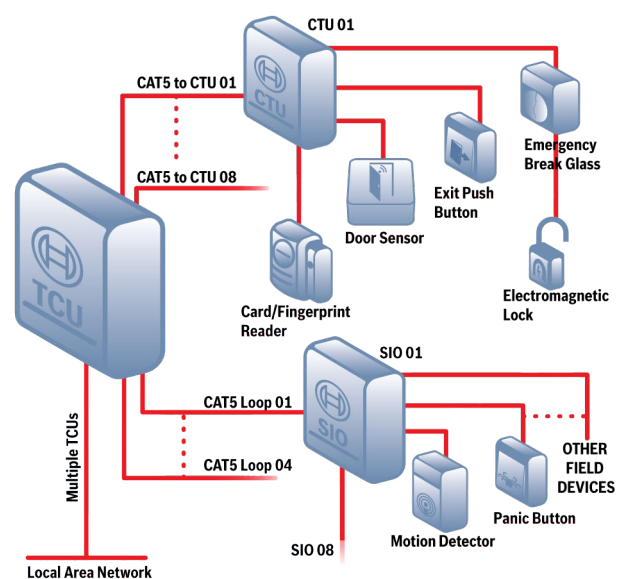
All electronics are powered by a regulated power supply unit, an AC line filter and a circuit breaker. The enclosure is key-locked, and is equipped with a tamper switch to detect any tampering.

An audio-visual alert is triggered in the absence of an AC source, minimising system downtime and maximising security.

Configuration

Each TCU-9000i controller can support up to a maximum of 16 card readers (for 8 doors, each with entry & exit readers).

Up to 256 Input points and 256 Output points can be connected to the TCU-9000i using the SIO by connecting 8 SIOs to each of the 4 SIO loops.



Features

Application Support

PowerVision™ Enterprise Release 3 Pro
 Database partitioning
 Global Anti-Passback

System Parameters

4,096 access groups
 256 schedules, each with 4 intervals and holidays
 Full Anti-Passback (APB) capabilities (timed, soft and hard)
 Max 256 input points (optional external hardware)
 Max 256 relay output points (optional external hardware)
 Ability to work in Off-Line Mode

Card Access Parameters

400,000 cardholder capacity
 Card function type: Normal, Time Attendance, Arm/Disarm, Guard Tour, Control
 Operation modes: Card-only, PIN only, Card + PIN, Biometric + PIN
 Selectable PIN per cardholder
 Card + PIN to arm/disarm Alarm Function
 Dual-card access function (2-man rule)
 Card with time/date activation and expiration function
 Card control function to trigger external devices

Door Parameters

Auto lock/unlock by schedule
 Locking/unlocking of doors by card reader control
 Door strike control: 3-255 sec
 Door left open alarm: 1-255 sec

Alarm Parameters

Door held open/forced open alarm
 Duress alarm (from keypad readers)
 Intrusion alarm (instant or delayed)
 Alarm monitoring
 Fire alarm input triggering
 Tamper alarm for enclosure
 Arm/disarm via keypad, card reader, central computer, schedule

I/O Parameters

Flexible programmable logic of all input and outputs points through Addressable Control Unit (ACU) functional blocks

Hardware Specifications

CPU Board

Low Power, 32 bit CPU, 500MHz and Above
 512MB DDR RAM
 2GB Compact Flash
 Dual 10/100 base-T fast ethernet ports
 Dual RS232 ports
 Input supply: 5VDC
 Hardware real-time-clock with battery backup

Interface Board

8 x TTL port (to card readers)
 4 x TTL port (to serial I/O boards)
 1 x RS232 port (to CPU board)
 Input supply: 5VDC

General

Input supply: 100-240VAC, 50/60 Hz (auto switching)
 Battery backup: 12VDC, 7AH (Optional)
 Battery charging: on-line charging
 Backup period: minimum 4 hours
 Power consumption: 9.2W (idle) to 38W (full load)
 Supports up to 16 card readers (8 doors)
 Optional inputs: maximum of 256
 Optional outputs: maximum of 256

Mechanical Specifications

Dimensions: H406mm x W406mm x D90mm
 Enclosure Material: Mild Steel, powder-coated spraypaint
 Weight: 7.5kg
 Colour: Grey

Operating Environment

Operating temperature: 0°-50°C (32°-120°F)
 Humidity: 10%-90% non-condensing

Ordering Information

Model | Description

ADC-25555 | Terminal Control Unit – TCU 9000i
 Intelligent Controller for S Series Reader, for Secured Mifare/HID/EM Card Scheme

The product also supports multi-technology cards/schemes. Please specify details when ordering.

Product Selection Matrix

Hardware Selection Matrix		S Series Readers (Card Scheme)			External Reader	
		Mifare (Secured)	HID	EM	HID / EM Prox	
Terminal Control Unit TCU 9000i		ADC-25555	ADC-25555	ADC-25555	ADC-25555	
Cable Terminal Unit (CTU)		ADC-23091	ADC-23091	ADC-23091	ADC-23484	
Serial I/O Unit (SIO)		ADC-22039	ADC-22039	ADC-22039	ADC-22039	
Reader Model	Entry	LCD+KEYPAD	ADC-25379	ADC-23479	ADC-23482	
		Fingerprint	ADC-25415			
	Exit	LEDs	ADC-25382	ADC-23480	ADC-23483	
		Fingerprint	ADC-25417			